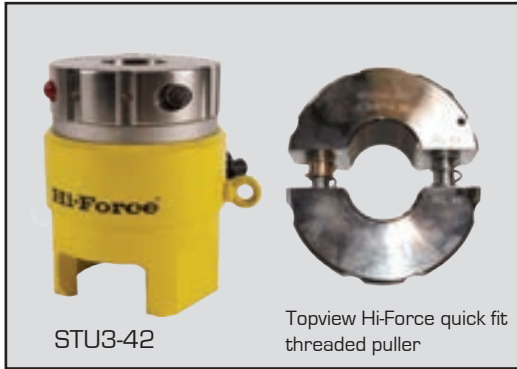


STU - SUB-SEA BOLT TENSIONERS - METRIC



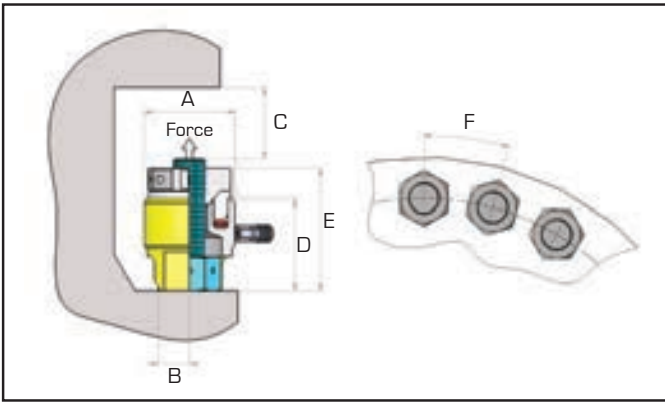
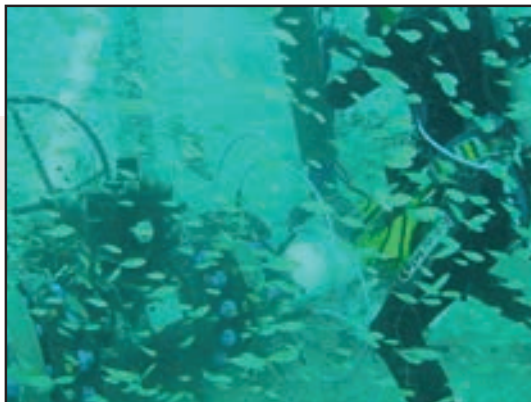
- >> Dual hose connection for easy hook up
- >> Extra long 1.18 inches piston stroke to reduce re-setting time
- >> Maximum piston stroke indicator
- >> Corrosion protected for operation in harsh sub-sea environments

Working pressure 21750 PSI

Interchangeable quickfit/release pullers

Load cell with integral bridge

Don't forget to order your tommy bars when purchasing Hi-Force Bolt tensioners. Hi-Force recommends the purchase of one tommy bar for every four tensioners. Please note that tommy bar listed will fit related quick fit puller, a different size may be required for the hexagon nut.



G

Model number	Bolt thread size	Capacity Tons	Capacity kN	Effective area inch ²	Stroke inch	Weight lbs	Tommy bar number
STU1-24	M24 x 3	29	256.04	2.65	0.79	7.5	TTB06
STU1-27	M27 x 3	29	256.04	2.65	0.79	7.5	TTB06
STU2-30	M30 x 3.5	48	430.36	4.45	1.18	13.2	TTB08
STU2-33	M33 x 3.5	48	430.36	4.45	1.18	13.2	TTB08
STU2-36	M36 x 4	48	430.36	4.45	1.18	13.2	TTB10
STU3-39	M39 x 4	62	553.39	5.72	1.18	16.5	TTB10
STU3-42	M42 x 4.5	62	553.39	5.72	1.18	16.5	TTB10
STU4-45	M45 x 4.5	85	756.30	7.82	1.18	21.6	TTB10
STU4-48	M48 x 5	85	756.30	7.82	1.18	21.6	TTB12
STU5-52	M52 x 5	131	1168.19	12.07	1.18	32.0	TTB12
STU5-56	M56 x 5.5	131	1168.19	12.07	1.18	32.0	TTB14
STU6-60	M60 x 5.5	185	1649.12	17.04	1.18	50.3	TTB14
STU6-64	M64 x 6	185	1649.12	17.04	1.18	50.3	TTB16
STU6-68	M68 x 6	185	1649.12	17.04	1.18	50.3	TTB16
STU6-72	M72 x 6	185	1649.12	17.04	1.18	50.3	TTB16
STU7-76	M76 x 6	279	2483.44	25.66	1.18	78.5	TTB16
STU7-80	M80 x 6	279	2483.44	25.66	1.18	78.5	TTB16
STU7-85	M85 x 6	279	2483.44	25.66	1.18	78.5	TTB16
STU7-90	M90 x 6	279	2483.44	25.66	1.18	78.5	TTB16

Dimensions in inches					
A	B	C	D	E	F
3.23	0.87	5.08	5.08	5.91	2.40
3.23	0.87	5.08	5.08	5.91	2.52
4.02	1.18	5.52	5.52	6.46	2.88
4.02	1.18	5.52	5.52	6.46	2.96
4.02	1.18	5.52	5.52	6.46	3.07
4.49	1.38	5.59	5.59	6.66	3.23
4.49	1.38	5.59	5.59	6.66	3.35
5.04	1.62	5.95	5.95	7.13	3.70
5.04	1.62	5.95	5.95	7.13	3.86
5.83	1.89	6.46	6.46	7.96	4.41
5.83	1.89	6.46	6.46	7.96	4.57
6.93	2.36	7.21	7.21	9.10	5.36
6.93	2.36	7.21	7.21	9.10	5.36
6.93	2.36	7.21	7.21	9.10	5.36
6.93	2.36	7.21	7.21	9.10	5.56
8.47	3.70	8.47	8.47	10.24	6.46
8.47	3.70	8.47	8.47	10.24	6.46
8.47	3.70	8.47	8.47	10.24	6.90
8.47	3.70	8.47	8.47	10.24	6.90