

HPF - WORKSHOP PRESSES



Capacities from 11 to 220 tons

Stroke lengths from 9.85 to 13 inches

Working pressure 10000 PSI

- >> Choice of manual, air or electric powered pumps
- >> Supplied complete with pressure gauge
- >> Other configurations available on request

The HPB and HPF range of workshop presses offers a choice of 25 models with either single acting or double acting cylinders and manually operated, air powered or electric powered pumps. Floor presses incorporate an adjustable work table and dual scale pressure gauge.

Model number	Capacity tons	Stroke inch	Cylinder model no. ¹	Cylinder principle	Pump model no. ²	Pump operation	Weight lbs
HPF1020	11	9.85	HSS1010	single acting	HP110	hand operated	209.4
HPF1030	11	9.85	HSS1010	single acting	AHP1120	air powered	187.4
HPF2520	27	9.85	HSS2510	single acting	HP227	hand operated	319.7
HPF2530	27	9.85	HSS2510	single acting	AHP1120	air powered	304.2
HPF2541	27	9.85	HSS2510	single acting	HEP103341	electric driven 110 V	352.7
HPF2542	27	9.85	HSS2510	single acting	HEP103342	electric driven 240 V	352.7
HPF2544	27	9.85	HSS2510	single acting	HEP207314H	electric driven 415 V	352.7
HPF5020S	55	13.00	HSS5013	single acting	HP257	hand operated	1036.2
HPF5020D	55	13.00	HDA5013	double acting	HP252D	hand operated	1102.3
HPF5030S	55	13.00	HSS5013	single acting	AHP1121	air powered	1113.3
HPF5030D	55	13.00	HDA5013	double acting	AHP1141	air powered	1113.3
HPF5041S	55	13.00	HSS5013	single acting	HEP207311H	electric driven 110 V	1113.3
HPF5041D	55	13.00	HDA5013	double acting	HEP207411H	electric driven 110 V	1060.4
HPF5042S	55	13.00	HSS5013	single acting	HEP207312H	electric driven 240 V	1128.8
HPF5042D	55	13.00	HDA5013	double acting	HEP207412H	electric driven 240 V	1142.0
HPF5044S	55	13.00	HSS5013	single acting	HEP207314H	electric driven 415 V	1142.0
HPF5044D	55	13.00	HDA5013	double acting	HEP207414H	electric driven 415 V	1142.0
HPF10020	110	13.00	HDA10013	double acting	HP245D	hand operated	2228.9
HPF10030	110	13.00	HDA10013	double acting	HAP21042	air powered	2268.5
HPF10041	110	13.00	HDA10013	double acting	HEP207421H	electric driven 110 V	2299.4
HPF10042	110	13.00	HDA10013	double acting	HEP207422H	electric driven 240 V	2299.4
HPF10044	110	13.00	HDA10013	double acting	HEP207424H	electric driven 415 V	2299.4
HPF20041	220	12.02	HDA20012	double acting	HEP310421H	electric driven 110 V	7165.0
HPF20042	220	12.02	HDA20012	double acting	HEP310422H	electric driven 240 V	7165.0
HPF20044	220	12.02	HDA20012	double acting	HEP310424H	electric driven 415 V	7165.0

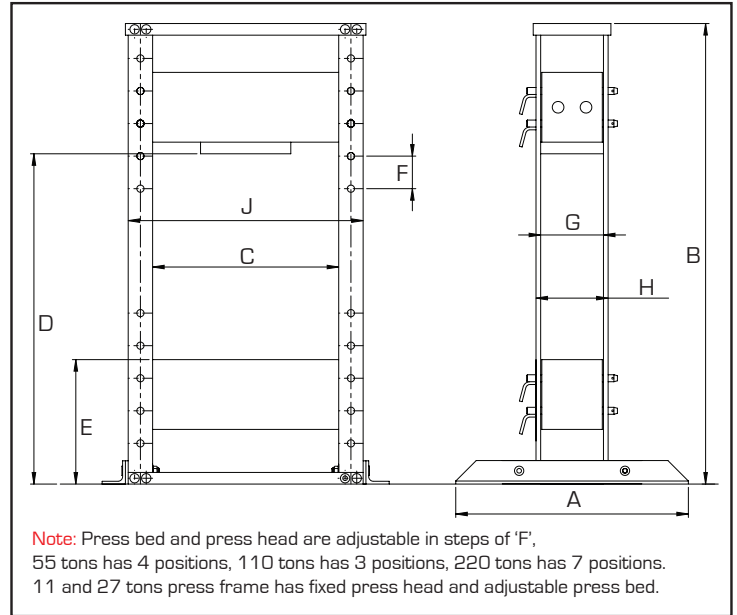
Notes: ¹) For detailed specification on applicable cylinders, see pages 14 & 15 for HSS range and page 20 for HDA range. ²) For detailed specification on applicable pumps, see pages 29 - 31 for HP range, page 37-41 for HEP range, page 45-46 for AHP range and page 47 for HAP range.

HPF - WORKSHOP PRESSES

Factory mounted optional accessories include a mechanical bed winch for easy adjustment of the work table and multi-position V-blocks. All presses are supplied completely assembled, ready for use. Hi-Force workshop presses are manufactured to the highest quality standards, and are suitable for the most demanding jobs.



In order to fully comply with CE regulations, some presses must be equipped with specific safety components, such as spring centered valves, two-hand control devices or others.



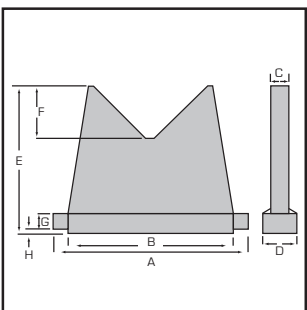
Press Range	Capacity tons
HPF1000	11
HPF2500	27
HPF5000	55
HPF10000	110
HPF20000	220

Frame dimensions in inches										
A	B	C	D (min)	D (max)	E (min)	E (max)	F	G	H	J
29.23	57.05	20.02	49.57	10.24	39.79	5.91	-	6.00	26.00	
29.23	57.05	20.02	49.57	10.24	39.79	5.91	-	6.00	26.00	
39.40	80.97	31.52	44.92	61.46	15.56	32.11	5.52	10.17	11.74	39.40
39.40	78.01	39.40	42.95	53.98	21.67	32.70	5.52	13.32	15.29	48.86
47.28	98.50	49.25	83.33	71.51	24.03	59.49	5.91	13.00	16.15	68.95

OPTIONAL EXTRAS



Multi-position V-blocks



- >> Only available factory fitted option
- >> Lifts and lowers work table
- >> Available for 55 and 110 ton presses

Suffix	Description
BW	Bed winch, suitable for 55 and 110 ton models

- >> With flat bed and V-shape press surfaces
- >> Available for 11, 27, 55 and 110 ton presses

Model number	Cap. per set tons	Dimensions in inches								
		A	B	C	D	E	F	G	H	
HVB2500	11 - 27	8.04	6.07	0.79	1.77	6.11	1.77	0.79	0.32	
HVB5000	55	14.38	10.44	1.00	1.97	7.49	2.36	1.00	0.39	
HVB10000	110	16.75	12.81	1.38	2.36	10.44	3.35	1.38	0.39	