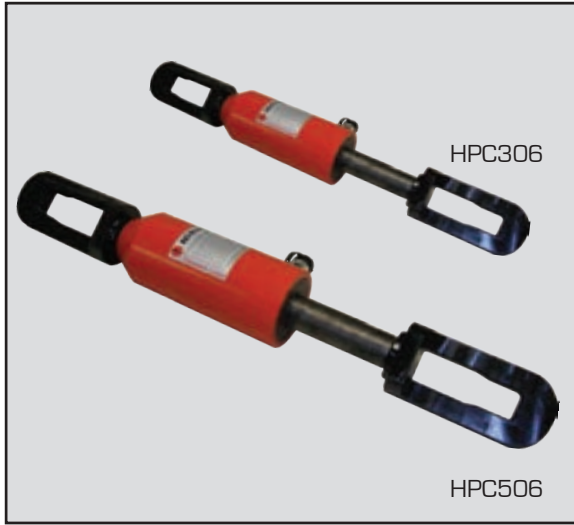


HPC - SINGLE ACTING PULL CYLINDERS



Working pressure 10000 PSI

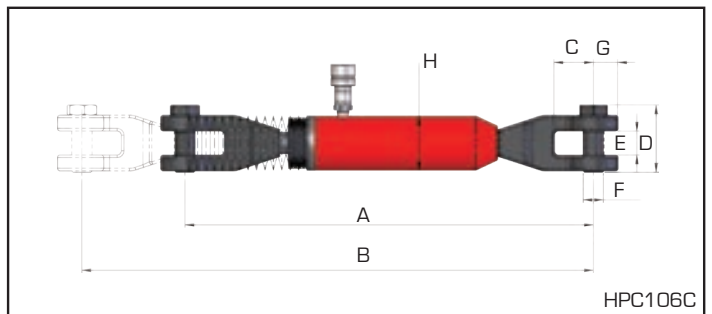
Capacities from 11 to 55 tons

Stroke length 6 inches



Hand and powered pumps suitable for use with HPC range pull cylinders are detailed on pages 27 to 48.

The HPC pull cylinder range comprises of four models, with capacities ranging from 11 to 55 tons of pulling force. All models are 10000 PSI maximum working pressure and feature a single acting, spring assisted return piston, with a 6" stroke length. Fitted with easily replaceable machined pulling eyes on the piston rod and cylinder base, the 11 tons capacity version can also be supplied with clevis eye attachments. Typical applications for HPC pull cylinders are plate alignment prior to welding in shipyards, cable tensioning and heavy load moving using chains or wire ropes.

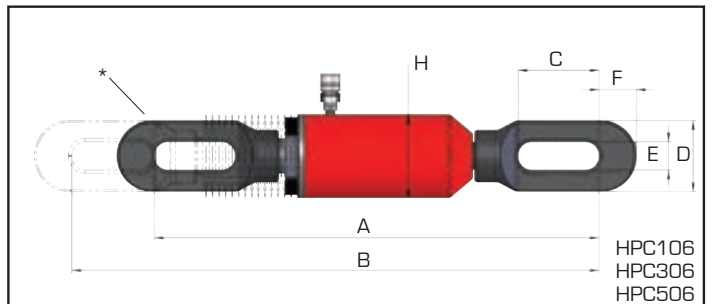


HPC106C

Protective bellows are available as optional extra



HPC106 c/w bellows



HPC106
HPC306
HPC506

* Eye bolt thickness: HPC106 = 0.87", HPC306 = 1.38", HPC506 = 1.58"

Model number	Capacity tons	Stroke inch	Oil cap. inch ³	Cyl. eff. area inch ²	Weight lbs
HPC106	11	6	13.91	2.33	26.5
HPC106C	11	6	13.91	2.33	34.2
HPC306	33	6	38.8	6.48	68.3
HPC506	55	6	65.76	11.00	119.0

Dimensions in inches							
A	B	C	D	E	F	G	H
23.64	29.63	4.49	2.64	1.26	1.30	-	3.15
23.72	29.71	2.29	3.9	1.38	1.18	1.42	3.15
27.38	33.37	5.71	4.14	1.65	1.97	-	4.81
32.27	38.26	5.87	5.12	2.05	2.72	-	6.03