

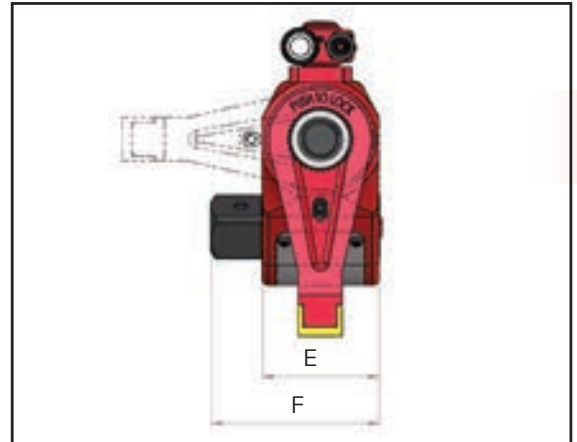
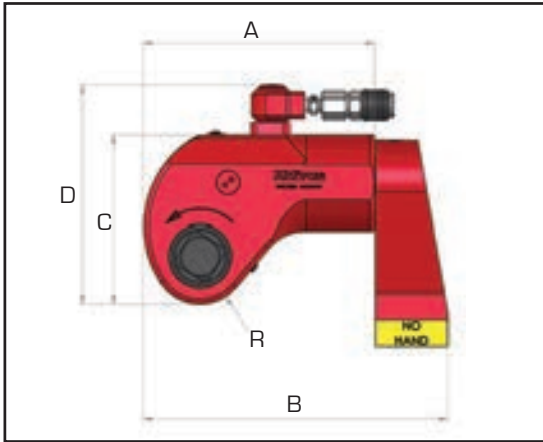
TWS-N - HYDRAULIC TORQUE WRENCHES - SQUARE DRIVE



Designed for tightening and loosening

Internal reaction arm spline

Accurate to +/- 3%



F



Model number	Torque Capacity		Square drive size	Weight incl. reaction foot lbs
	lbf. ft at 10,000 PSI	Nm at 700 Bar		
TWS17N	1254	1727	3/4"	4.2
TWS45N	3289	4529	1"	10.6
TWS100N	7308	10064	1 1/2"	19.8
TWS150N	10873	14974	1 1/2"	33.1
TWS370N	26860	36992	2 1/2"	71.6

Dimensions in inches						
A	B	C	D	E	F	R
5.08	6.58	3.55	5.16	2.01	2.88	1.00
6.58	8.59	4.77	6.70	2.68	3.86	1.34
8.79	11.54	6.42	8.31	3.62	5.32	1.81
9.73	12.73	7.56	9.30	3.94	5.56	2.13
12.96	17.02	9.46	11.35	5.40	8.04	2.60