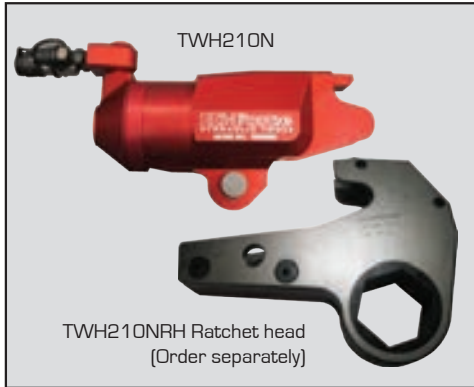


## TWH-N - HYDRAULIC TORQUE WRENCH - DRIVE CYLINDERS



Designed for tightening and loosening applications

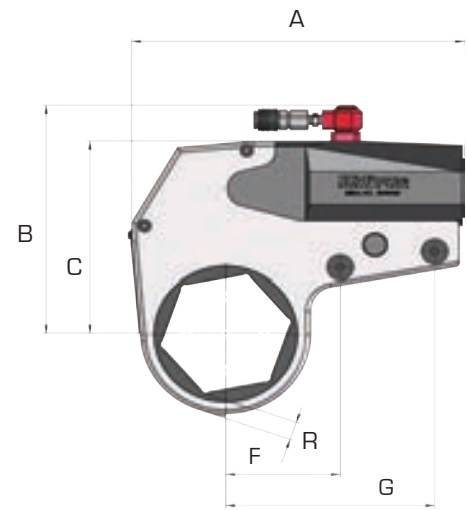
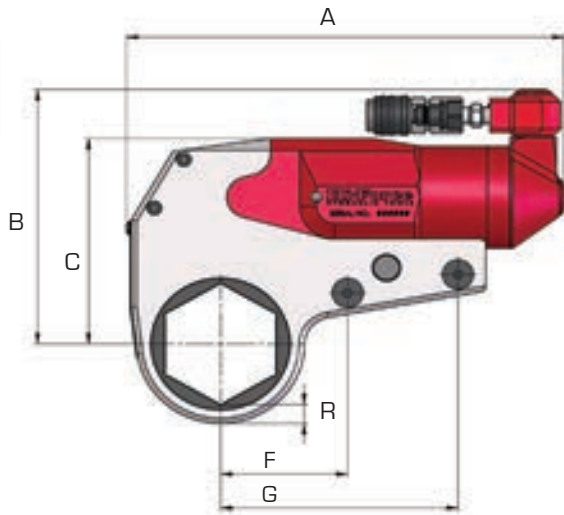
Easily assembled to selected ratchet head

Minimal nose radius for fitment in confined spaces

TWH27N, TWH54N,  
TWH120N, TWH210N

TWH430N

All Models



**Note:** Drawing shows drive cylinder, including ratchet head as detailed on pages 77-78.  
Drive cylinder and ratchet head are separate items and must be ordered separately

Model number (drive cyl.)	Torque capacity		Hexagon AF size				Weight lbs	Dimensions in inches							
	lbf. ft. at 10,000PSI	Nm at 700 Bar	Imperial min	Imperial max	Metric min	Metric max		A max	B max	C max	D	E	F	G	R min - max
<b>TWH27N</b>	1906	2625	1 1/16"	to 1 13/16"	24	to 46	3.1	7.60	4.93	3.82	1.26	2.01	2.13	4.29	0.37-0.48
	2228	3068	2"	to 2 3/8"	50	to 60	3.1	7.60	5.36	4.26	1.26	2.01	2.13	4.29	0.40-0.41
<b>TWH54N</b>	3901	5372	1 7/16"	to 2 9/16"	36	to 65	5.1	9.85	6.23	4.93	1.62	2.52	2.88	5.40	0.42-0.54
	4384	6037	2 3/4"	to 3 1/8"	70	to 80	5.1	9.85	6.66	5.36	1.62	2.52	2.88	5.40	0.46-0.58
<b>TWH120N</b>	8522	11737	2 3/16"	to 3 1/8"	50	to 80	8.4	12.21	7.45	6.19	2.05	3.07	3.62	4.41	0.58-0.60
	10419	14349	3 1/2"	to 3 7/8"	85	to 100	8.4	12.21	8.43	7.17	2.05	3.07	3.62	4.41	0.63-0.74
<b>TWH210N</b>	15405	21216	2 3/4"	to 3 7/8"	70	to 100	14.1	14.89	8.79	7.53	2.52	3.82	4.49	8.39	0.71-0.73
	16791	23124	4 1/4"	to 4 5/8"	105	to 115	14.1	14.89	9.30	8.04	2.52	3.82	4.49	8.39	0.72-0.82
<b>TWH430N</b>	31798	43792	3 1/8"	to 4 5/8"	80	to 115	35.5	15.96	11.47	9.53	3.27	3.66	5.75	10.52	1.01-1.23
	34985	48181	5"	to 6 7/8"	130	to 175	35.5	16.75	12.06	10.24	3.27	3.66	5.75	10.52	0.98-1.08

**Note:** Above selection table is for drive unit only. Ratchet head(s) to be ordered separately - see pages 77 - 78.  
Weight as stated is drive cylinder only, exact radius size (R) varies according to ratchet AF size selected.