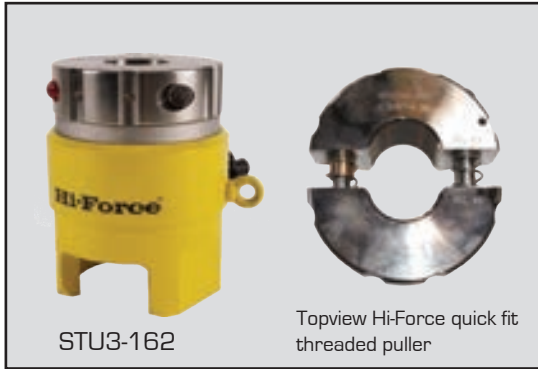


STU - SUB SEA BOLT TENSIONERS - IMPERIAL



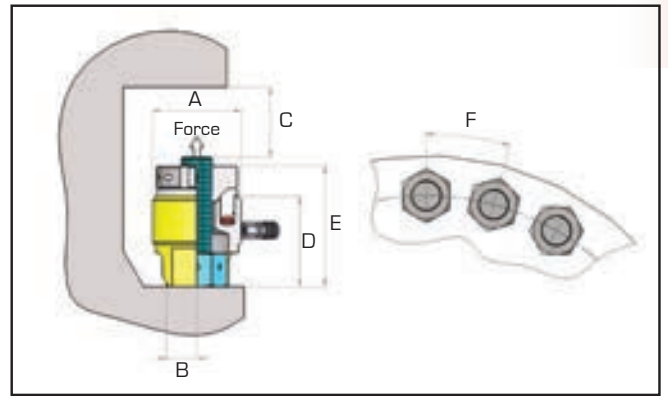
Working pressure 21750 PSI

Interchangeable quickfit/release pullers

Load cell with integral bridge

Hi-Force STU series sub-sea bolt tensioners are designed and manufactured to suit the demanding requirements of divers operating in harsh sub-sea environments. With an easy to operate two piece design comprising of a quick fit/release threaded puller and a hydraulic load cell with integral bridge and an extra long 1.18 inch piston stroke to reduce re-setting operations. Hi-Force STU series sub-sea bolt tensioners offer a consistent, reliable and cost effective method of tensioning sub-sea bolted joints. All hydraulic load cells are suitable for different thread sizes (see table below and on page 100) and interchangeable quick fit/release pullers can be ordered separately, as required, resulting in even greater flexibility and cost savings.

Don't forget to order your tommy bars when purchasing Hi-Force Bolt tensioners, Hi-Force recommends the purchase of one tommy bar for every four tensioners. Please note that tommy bar listed will fit related quick fit puller, a different size may be required for the hexagon nut.



Model number	Bolt thread size	Capacity Tons	Capacity kN	Effective area inch ²	Stroke inch	Weight lbs	Tommy bar number
STU1-100	1" - 8UN	29	256.04	2.65	0.79	7.5	TTB06
STU1-112	1 1/8" - 8UN	29	256.04	2.65	0.79	7.5	TTB06
STU2-125	1 1/4" - 8UN	48	430.36	4.45	1.18	13.2	TTB08
STU2-137	1 3/8" - 8UN	48	430.36	4.45	1.18	13.2	TTB08
STU3-150	1 1/2" - 8UN	62	553.39	5.72	1.18	16.5	TTB10
STU3-162	1 5/8" - 8UN	62	553.39	5.72	1.18	16.5	TTB10
STU4-175	1 3/4" - 8UN	85	756.30	7.82	1.18	21.6	TTB10
STU4-187	1 7/8" - 8UN	85	756.30	7.82	1.18	21.6	TTB10
STU5-200	2" - 8UN	131	1168.19	12.07	1.18	32.0	TTB12
STU5-225	2 1/4" - 8UN	131	1168.19	12.07	1.18	32.0	TTB12
STU6-250	2 1/2" - 8UN	185	1649.12	17.04	1.18	50.3	TTB14
STU6-275	2 3/4" - 8UN	185	1649.12	17.04	1.18	50.3	TTB14
STU7-300	3" - 8UN	279	2483.44	25.66	1.18	78.5	TTB16
STU7-325	3 1/4" - 8UN	279	2483.44	25.66	1.18	78.5	TTB16
STU7-350	3 1/2" - 8UN	279	2483.44	25.66	1.18	78.5	TTB16

Dimensions in inches					
A	B	C	D	E	F
3.23	0.87	5.08	5.08	5.91	2.40
3.23	0.87	5.08	5.08	5.91	2.52
4.02	1.18	5.52	5.52	6.46	2.88
4.02	1.18	5.52	5.52	6.46	2.96
4.49	1.38	5.59	5.59	6.66	3.23
4.49	1.38	5.59	5.59	6.66	3.35
5.04	1.62	5.95	5.59	7.13	3.70
5.04	1.62	5.59	5.59	7.13	3.86
5.83	1.89	6.46	6.46	7.96	4.41
5.83	1.89	6.46	6.46	7.96	4.57
6.93	2.36	7.21	7.21	9.10	5.36
6.93	2.36	7.21	7.21	9.10	5.56
8.47	3.51	8.47	8.47	10.24	6.38
8.47	3.51	8.47	8.47	10.24	6.82
8.47	3.51	8.47	8.47	10.24	6.90